

REGELARMATUREN / CONTROL VALVES / VANNES DE RÉGULATION

Baureihe/Series/Série

MVM/F

Ausführung

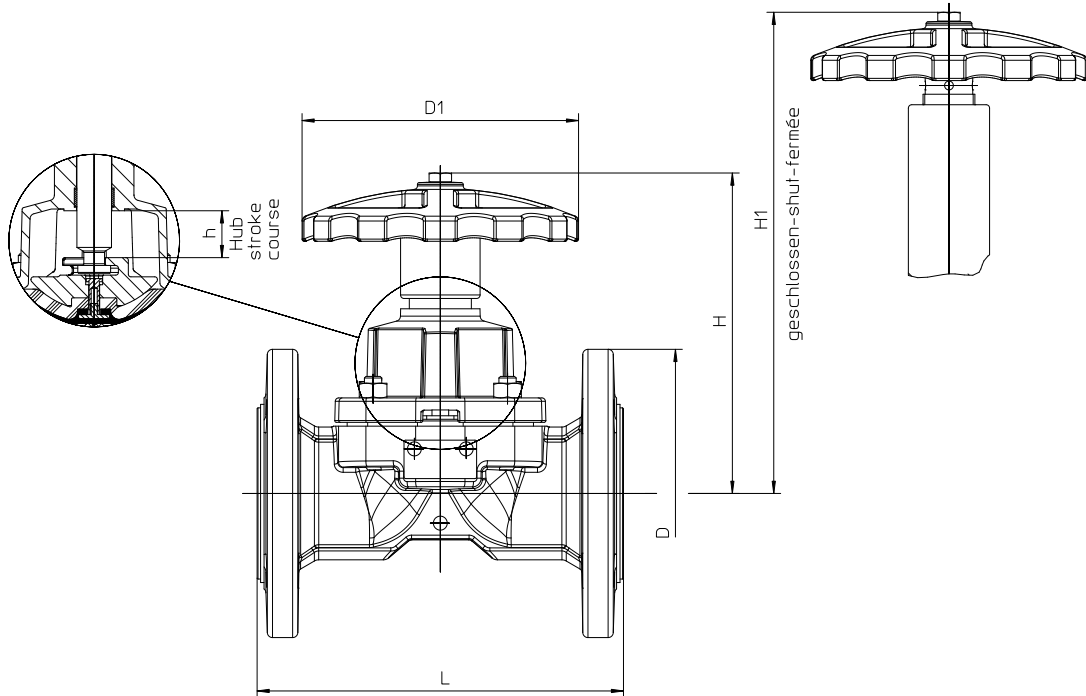
**Membranabsper- oder regelventil,
handbetätigt**

Design

**Diaphragm shut-off or control valve,
manually operated**

Construction

**Vanne d'arrêt ou de régulation à membrane,
commande manuelle**



DN	L [inch] ([mm])	D [inch] ([mm])	D1 [inch] ([mm])	H [inch] ([mm])	H1 [inch] ([mm])	h [inch] ([mm])	Gewicht Weight poids [lb] ([kg])
1"	5.8 (147,5)	4.25 (108)	3.74 (95)	5 (127)	7.2 (183)	0.47 (12)	9.92 (4,5)
1.5"	6.89 (175)	5 (127)	6.3 (160)	6.7 (170)	9.02 (229)	0.71 (18)	17.42 (7,9)
2"	7.87 (200)	6 (152,5)	6.3 (160)	6.97 (177)	9.09 (231)	1.06 (27)	24.25 (11)
3"	10.23 (260)	7.5 (190,5)	7.48 (190)	9.13 (232)	12.2 (310)	1.57 (40)	50.71 (23)
4"	12.87 (327)	8.5 (216)	9.06 (230)	9.92 (252)	12.6 (320)	1.57 (40)	67.68 (30,7)
6"	13.38 (416)	11 (279,5)	13.78 (350)	14.76 (375)	17.13 (435)	2.36 (60)	132.06 (59,5)

Flanschanschlussmaße:

ASME B16.5 Class 150, raised face

Flange connecting dimensions:

ASME B16.5 Class 150, raised face

Dimensions des brides:

ASME B16.5 Class 150, raised face

Modification techniques possibles sans préavis:
Graphique non à l'échelle!
Dimensions variables uniquement revêtues d'une signature!

This leaflet is subject to alteration:
Drawing not to scale!
Certified for construction purposes only when signed!

Technische Änderungen vorbehalten!
Nicht maßstäblich!
Maße nur mit Unterschrift verbindlich!